

# MCR (Pourover)

15.5" x 16.0" x 8.8"  
(39.4cm x 40.6cm x 22.4cm)



- Engineered to achieve industry-recognized brewing temperatures and to utilize a unique water jet extraction process, delivering quality results in the cup for a variety of single serve cartridges
- Energy Saver Mode reduces tank temperature during idle periods
- Optional kit for connecting to a water line for automatic water fill
- Dispense sizes from 4 to 16oz (118-473mL); adjustable in .25 increments
- Removable, dishwasher-safe 90oz (2.7L) water reservoir with large fill opening
- 1-year warranty on parts and 1-year warranty on labor
- ETL & NSF Commercial Ratings
- Ideal for office and small business environments
- Two default dispense sizes - 6oz and 8oz (117.4mL and 236.6mL)
- Pourover unit requires no plumbing
- Compact size - only 15.5" (39.4cm) tall and requires less than 9" (22.cm) of counter space
- Designed to be compliant with ADA self-service requirements

Agency:



## Specifications

**Product #:** 44600.0000

**Water Access:** Not Plumbed

## Additional Features

## Electrical & Capacity

Volts	Amps	Watts	Cord Attached	Plug Type	8oz cups/hr 236ml cups/hr	Input H <sub>2</sub> O Temp.	Phase	# Wires plus Ground	Hertz
120	12.25	1470	Yes	NEMA 5-15P	60	60°F (15.5°C)	1	2	60

## Plumbing Requirements

PSI	kPa	Fitting Supplied	Water Flow Required (GPM)
-	-	-	-

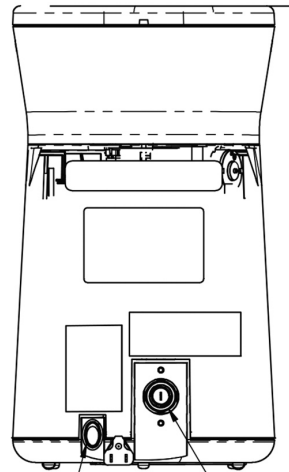
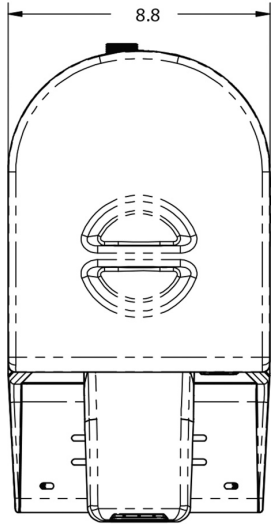
## CAD Drawings

2D	Revit	KLC
●		

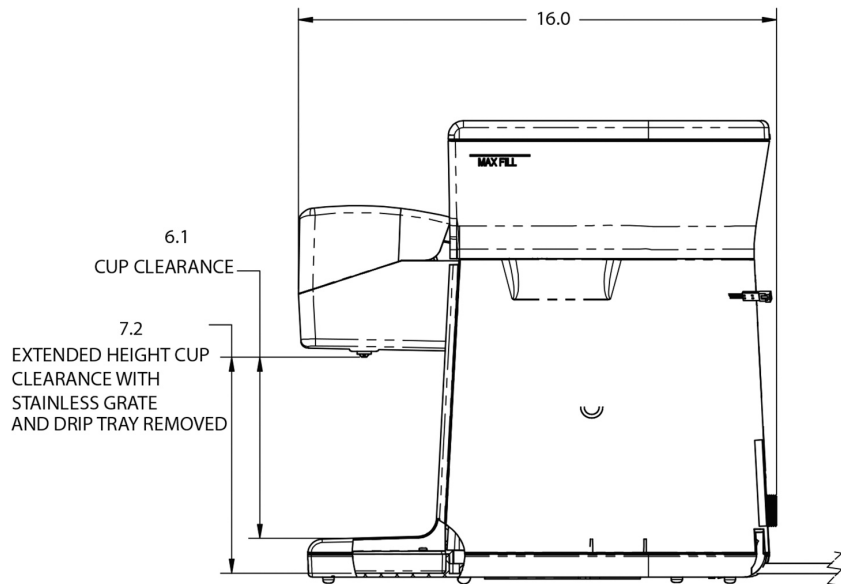
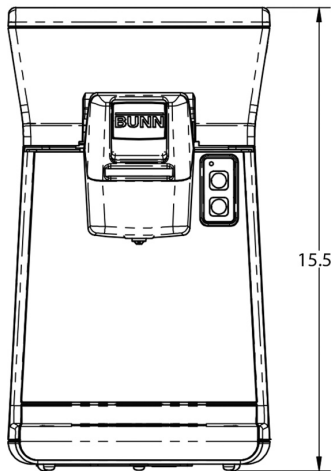


BUNN® reserves the right to change specifications and product design without notice. Such revisions do not entitle the buyer to corresponding changes, improvements, additions or replacements for previously purchased equipment. For most current specifications and other info visit [bunn.com](http://bunn.com).

Created on:  
09/08/2018



POWER SWITCH — OPTIONAL WATER INLET



	Unit			Shipping				
	Width	Height	Depth	Width	Height	Depth	Weight	Volume
English	8.8 in.	15.5 in.	16.0 in.	11.9 in.	19.4 in.	18.8 in.	18.380 lbs	2.498 ft <sup>3</sup>
Metric	22.4 cm	39.4 cm	40.6 cm	30.2 cm	49.2 cm	47.6 cm	8.337 kgs	0.071 m <sup>3</sup>



BUNN® reserves the right to change specifications and product design without notice. Such revisions do not entitle the buyer to corresponding changes, improvements, additions or replacements for previously purchased equipment. For most current specifications and other info visit [bunn.com](http://bunn.com).

Created on:  
09/08/2018

## Related Products & Accessories:MCR (Pourover)(44600.0000)

KIT, CONVERT TO  
AUTOMATIC-MCR

Product #: 49565.0000



BUNN® reserves the right to change specifications and product design without notice. Such revisions do not entitle the buyer to corresponding changes, improvements, additions or replacements for previously purchased equipment. For most current specifications and other info visit [bunn.com](http://bunn.com).

Created on:  
09/08/2018

# Serving & Holding Options: MCR (Pourover)(44600.0000)

\*Serving and Holding selections are currently unavailable. Please contact your sales representative to find out more information.\*



BUNN® reserves the right to change specifications and product design without notice. Such revisions do not entitle the buyer to corresponding changes, improvements, additions or replacements for previously purchased equipment. For most current specifications and other info visit [bunn.com](http://bunn.com).

Created on:  
09/08/2018