

DUAL GPR 120/208V w/SST Fnl, 3 Settings

29.3" x 19.3" x 18.0"
(74.4cm x 49.0cm x 45.7cm)

- Each 1.5GPR portable server (included) has a Safety-Fresh® brew-through lid with vapor seal and spill protection
- SplashGard® funnels deflect hot liquids away from the hand
- Brews 1/2, 1 or 1 1/2gal (1.9, 3.8 or 5.7L) batches
- Adjustable bypass ensures perfect coffee regardless of batch size



Agency:



Specifications

Product #: 20900.0010

Faucet: Upper

Water Access: Plumbed

Interface: Cabled

Finish: Stainless

Funnel: Stainless Steel

Additional Features

Electrical & Capacity

Volts	Amps	Watts	Cord Attached	Plug Type	8oz cups/hr 236ml cups/hr	Input H ₂ O Temp.	Phase	# Wires plus Ground	Hertz
120/208	28.8	5990	No	-	266	60°F (15.5°C)	1	3	60

Plumbing Requirements

PSI	kPa	Fitting Supplied	Water Flow Required (GPM)
20-90	138-621	1/4" Male Flare Fitting	-

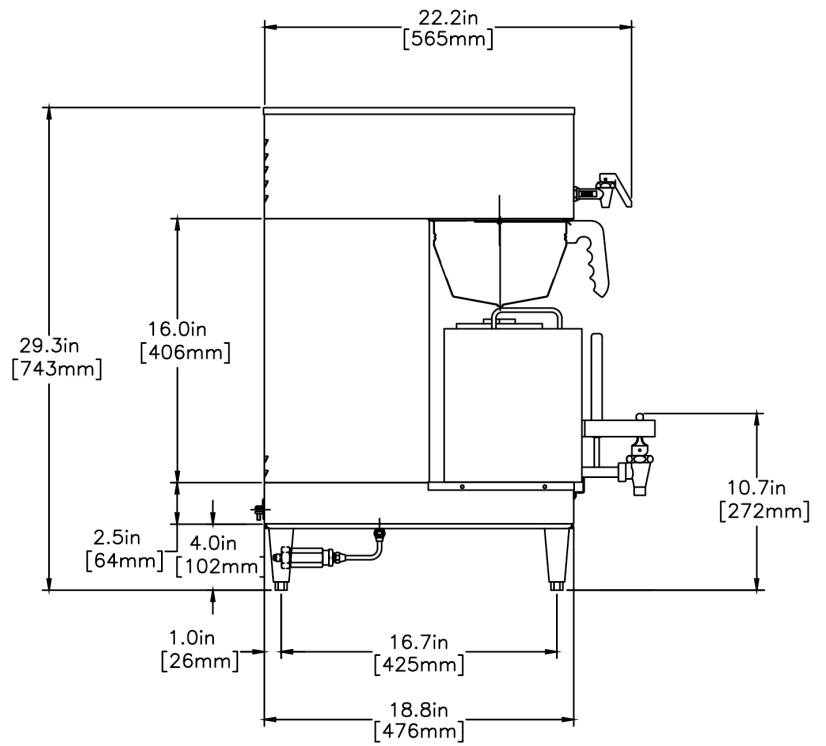
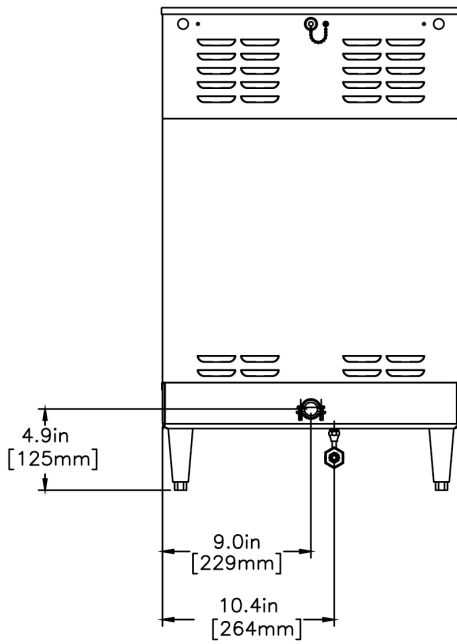
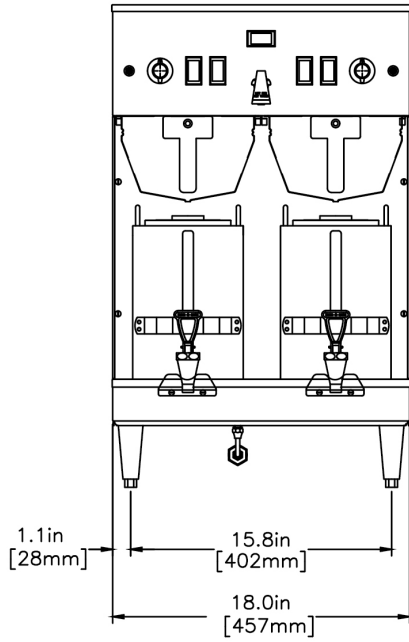
CAD Drawings

2D	Revit	KLC
●		



BUNN® reserves the right to change specifications and product design without notice. Such revisions do not entitle the buyer to corresponding changes, improvements, additions or replacements for previously purchased equipment. For most current specifications and other info visit bunn.com.

Created on:
09/12/2018



	Unit			Shipping				
	Width	Height	Depth	Width	Height	Depth	Weight	Volume
English	18.0 in.	29.3 in.	19.3 in.	20.8 in.	31.8 in.	29.0 in.	95.250 lbs	11.101 ft ³
Metric	45.7 cm	74.4 cm	49.0 cm	52.8 cm	80.8 cm	73.7 cm	43.205 kgs	0.314 m ³



BUNN® reserves the right to change specifications and product design without notice. Such revisions do not entitle the buyer to corresponding changes, improvements, additions or replacements for previously purchased equipment. For most current specifications and other info visit bunn.com.

Created on:
09/12/2018

Related Products & Accessories: DUAL GPR 120/208V w/SST Fnl, 3 Settings(20900.0010)



FUNNEL ASSY, SST
(DUAL/SGL)

Product #: 20201.1201



DRIP TRAY KIT, DUAL &
SH

Product #: 27150.0000



WATER FILTER,
EQHP-10L

Product #: 39000.0001



WATER FILTER,
EQHP-10

Product #: 39000.0004



BUNN® reserves the right to change specifications and product design without notice. Such revisions do not entitle the buyer to corresponding changes, improvements, additions or replacements for previously purchased equipment. For most current specifications and other info visit bunn.com.

Created on:
09/12/2018

Serving & Holding Options: DUAL GPR 120/208V w/SST Fnl, 3 Settings(20900.0010)



RWS1, 120V

Product #:12203.0010



RWS1, 120V-SATIN NKL
LEGS

Product #:12203.0014



1.5GPR-FF, TOP HNDL

Product #:20950.0004



BUNN® reserves the right to change specifications and product design without notice. Such revisions do not entitle the buyer to corresponding changes, improvements, additions or replacements for previously purchased equipment. For most current specifications and other info visit bunn.com.

Created on:
09/12/2018